

MOUNTING PROCEDURE

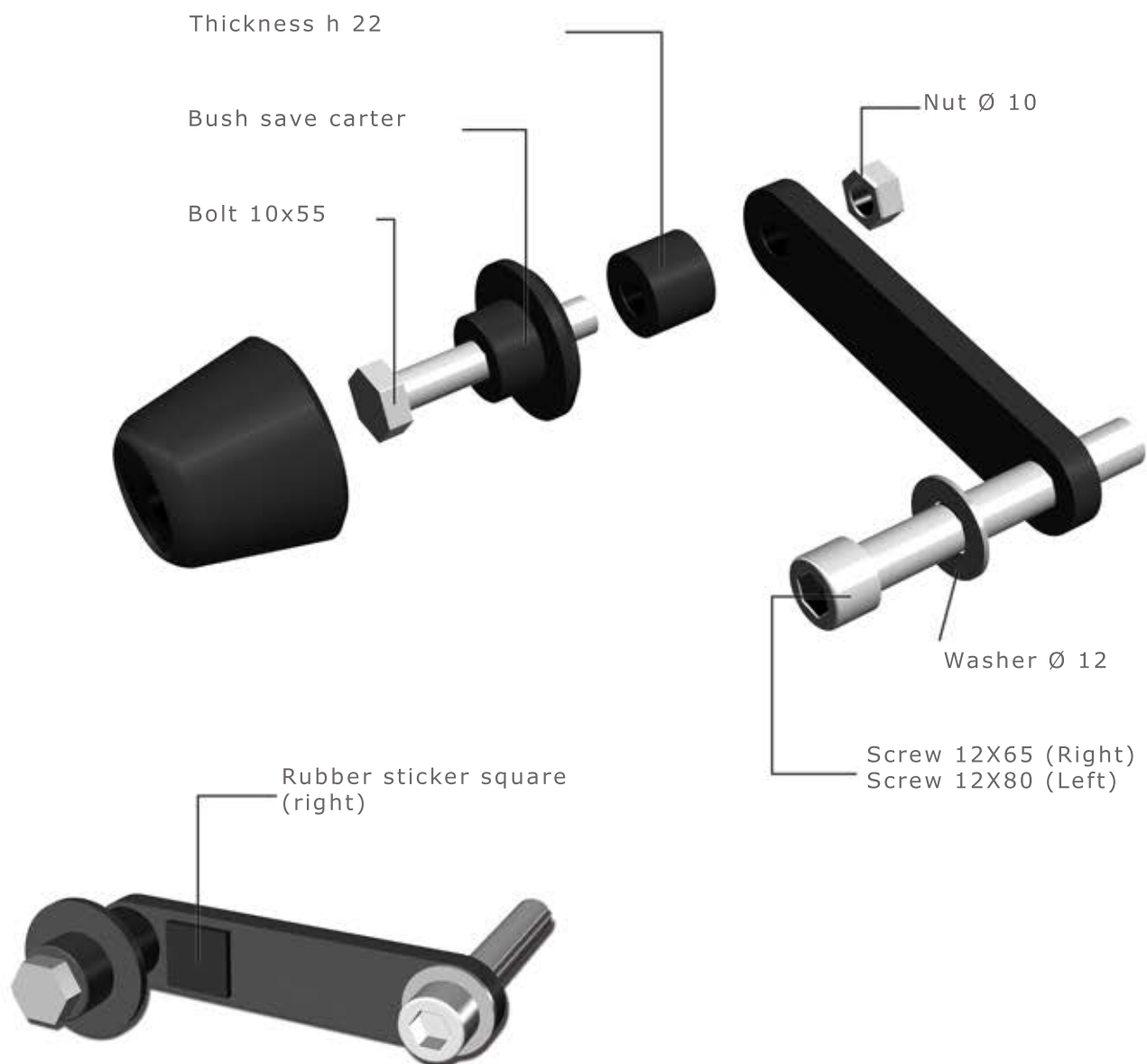
KIT SAVE CARTER
HONDA CBR 600 F '11 - '13

HP6101

WWW.BARRACUDAMOTO.COM

KIT

X2. PVC HEAD
X2. BUSH DIAMETER 10
X2. THICKNESS HIGH MM22
X1. SCREW 12X65 (RIGHT)
X1. SCREW 12X80 (LEFT)
X2. WASHER DIAMETER 12 MM
X2. BOLT 10X55
X2. NUT DIAMETER 10
X1. RUBBER STICKER SQUARE
X2. BRACKET



SEARCH AND FIND THE FIXING POINTS ON THE MOTORBIKE BEFORE START TO MOUNTAIN, USE THE SPECIFIC THICKNESS AND BOLTS LIKE DESCRIBED IN THE PICTURE (SO YOU CAN GET THE RIGHT PROMINENCE FROM THE MOTORBIKE).
FIX THE PVC HEAD AFTER FIXED AND TIGHTEN ALL THE KIT ONLY.